



CLOSED TYPE MIXER

IOANNIS NEOKOSMISIS
FILLING MACHINES

38 ERMIONIS Str., N. KIFISSIA
TEL.: +30 210.620.47.80,
FAX: +30 210.620.47.80

A mixer type for totally closed production systems, and high productivity. Models for 5 tons minimum to 10 tons maximum production.

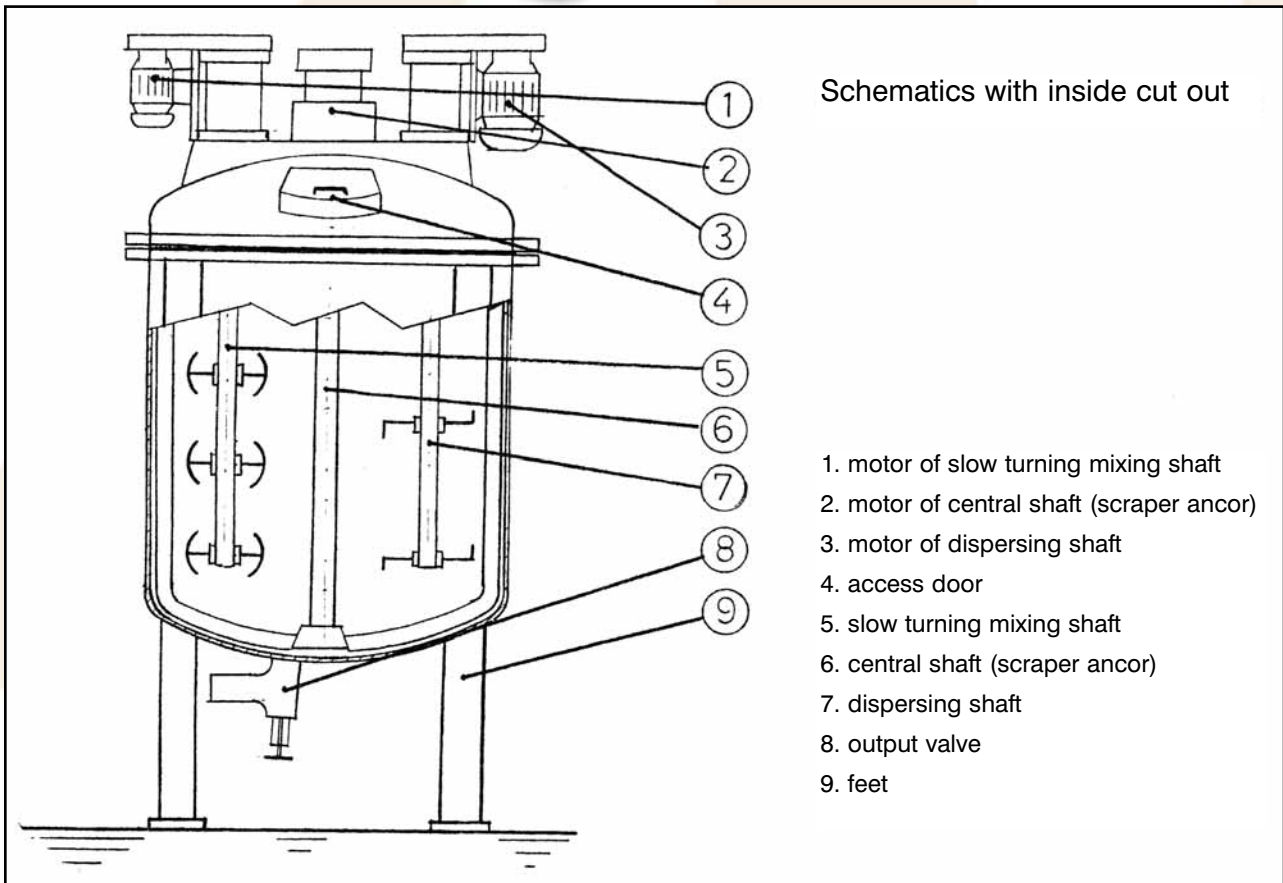
Access door on top for the raw materials output valve for the product at the bottom.

A combination of three shafts for better mixing and dispersing.

- The central shaft (ancor type) rotates slowly and with the scrapers that it has, cleans the walls of the tank.
- Dispersing shaft with two disks (horisontial mixing).
- Slow turning-mixing shaft with three propellers (two blades each).



The dispersing shaft can be driven by a two speed electric motor or by an electronic speed controller (Inverter).



Schematics with inside cut out

Technical Characteristics

Type	Horse Power	Rpm (dispersing shaft)	Tank Capacity (dispersing motor)
AN KT060	60HP	750.../sec & 1200 .../sec	5000 lt
AN KT080	80HP	750.../sec & 1200 .../sec	8000 lt
AN KT100	100HP	750.../sec & 1200 .../sec	10000 lt