



## FILLING MACHINE

**IOANNIS NEOKOSMIDIS**  
FILLING MACHINES

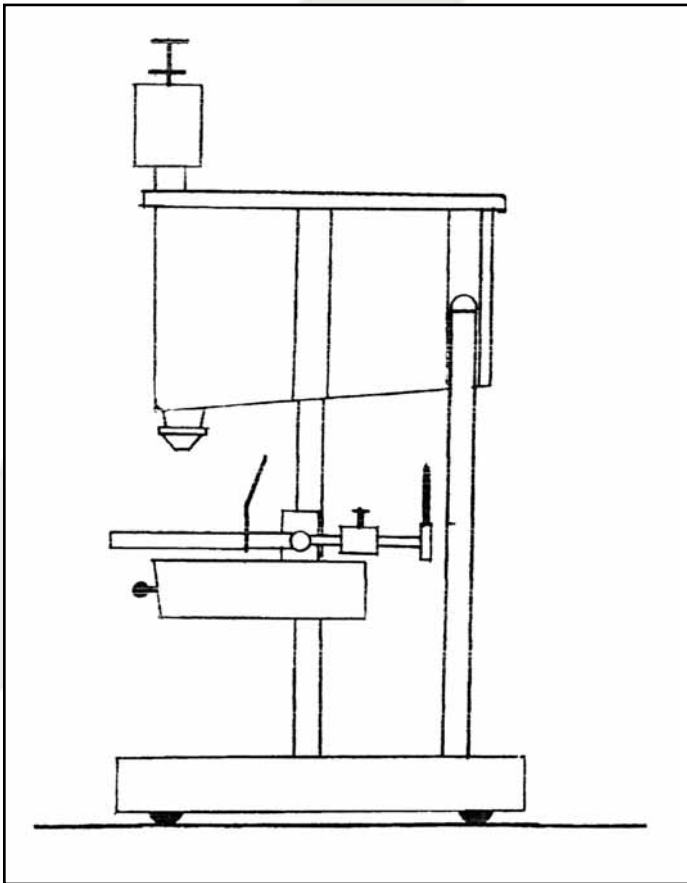
38 ERMIONIS Str., N. KIFISSIA  
TEL.: +30 210.620.47.80,  
FAX: +30 210.620.47.80



Filling machine suitable for can or plastic packages from 1/8kg up to 25kg. It is ideal for paints, varnishes, solvents, food oils. Simple and robust construction which minimizes malfunctions. Minimum setting time and maintenance. Fully adjustable filling speed. Pneumatically operated (non electric). Mechanical balancer of extreme accuracy with automatic or semiautomatic function.

All parts which come in contact with the product are constructed by stainless steel.





Schematic of filling machine

machine without tank

### Technical Characteristics

Type	Weighting Capacity	Fuction
V55	1/8kg up to 5,5kg	Automatic / Semiautomatic
V250	1/2kg up to 25kg	Semiautomatic
V250B WITHOUT TANK	1/2kg up to 25kg	Semiautomatic