



VERTICAL GRINDING MILL

IOANNIS NEOKOSMIDIS
FILLING MACHINES

38 ERMIONIS Str., N. KIFISSIA
TEL.: +30 210.620.47.80,
FAX: +30 210.620.47.80

A workhorse machine, classic design, robust construction. It is suitable for pastes of colours that the size of the pigment particles has to be reduced and homogenized. Thus the final product has a silk-like texture, an improved optical appearance and a better covering efficiency.

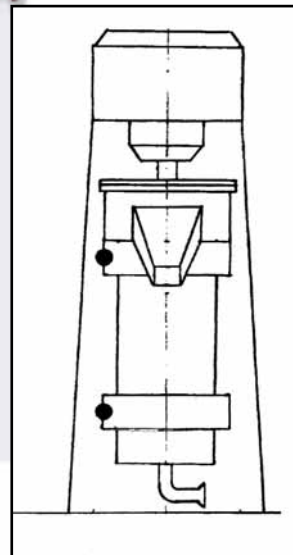
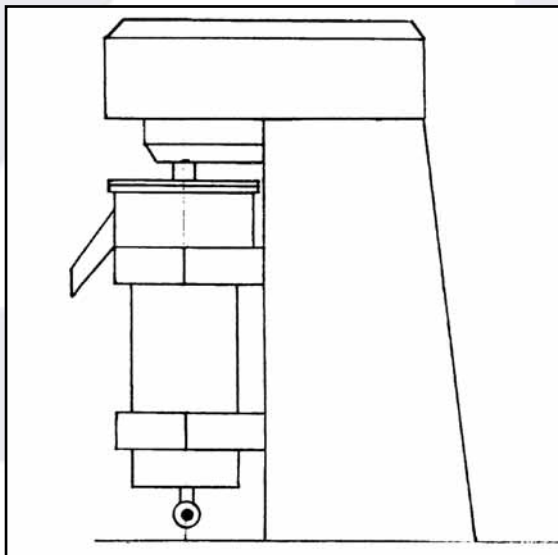


Grinding chamber constructed by stainless steel and fitted with a specialized jacket which allows the cooling water to circulate. Feeding pump with variable speed controller. Filtering element with 30 micromilimeter crossing section.



Grinding shaft which consists of disks from stainless steel.





Schematics of vertical grinding mill

Technical characteristics of the grinding mill

TYPE	Grinding Chamber Capacity	Horsepower	Rotating Velocity	Filtering Element
TX E002	2 lt	1HP	1200.../min	30µm
TX B020	20 lt	10HP	1200.../min	30µm
TX B050	50 lt	40HP	1200.../min	30µm
TX B080	80 lt	50HP	1200.../min	30µm